

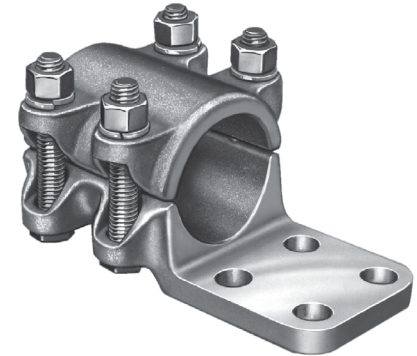


TERMINALS BOLTED ALUMINUM STRAIGHT BOLT TERMINAL, TUBE TO FLAT

ALUMINUM
ASTF

Aluminum alloy terminal for connecting aluminum tubing to aluminum or copper flat pad combinations. Side formed tongues are standard to allow clearance for flush mounting. Clamping bolts have hex-stops for one-wrench installation. Tongue holes have NEMA spacing. Contact sealant is recommended.

Material: Castings—356-T6 aluminum alloy
Hardware—aluminum alloy

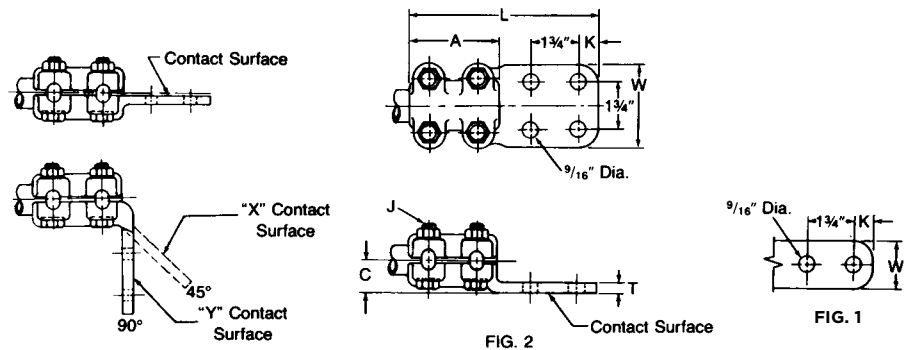


Center formed pads may be obtained by adding suffix-CF to the catalog number.

Example: ASTF20B2CF

45° & 90° angle connectors may be obtained by specifying desired angle.

Example: ASTF20B2Y90



Product Data & Conductor Size

CATALOG NUMBER	FIG. NO.	CONDUCTOR SIZE TUBING IPS/EHIPS	DIMENSIONS INCHES (MM)							APPROX. WT. EACH LBS. (KG)
			L	A	C	K	T	W	J	
ASTF06B2	1	3/4	5-7/8 (149.2)	2-1/2 (63.5)	1-3/8 (34.92)	5/8 (15.88)	1/2 (12.7)	2 (50.8)	1/2 (12.7)	1.2 (.5)
ASTF06C	2	3/4	5-3/4 (146.05)	2-1/2 (63.5)	1-3/8 (34.92)	5/8 (15.88)	3/8 (9.52)	3 (76.2)	1/2 (12.7)	1.2 (.5)
ASTF10B2	1	1	6-1/8 (155.6)	2-3/4 (69.85)	1-3/8 (34.92)	5/8 (15.88)	1/2 (12.7)	2 (50.8)	1/2 (12.7)	1.5 (.7)
ASTF10C	2	1	6 (152.4)	2-3/4 (69.85)	1-3/8 (34.92)	5/8 (15.88)	3/8 (9.52)	3 (76.2)	1/2 (12.7)	1.5 (.7)
ASTF12B2	1	1-1/4	6-1/4 (158.75)	3 (76.2)	1-5/8 (41.28)	5/8 (15.88)	3/8 (9.52)	2 (50.8)	1/2 (12.7)	1.6 (.7)
ASTF12C	2	1-1/4	6-1/4 (158.75)	3 (76.2)	1-5/8 (41.28)	5/8 (15.88)	3/8 (9.52)	3 (76.2)	1/2 (12.7)	1.6 (.7)
ASTF14B2	1	1-1/2	6-1/2 (165.1)	3-1/4 (82.55)	1-1/2 (38.1)	5/8 (15.88)	7/16 (11.11)	2 (50.8)	1/2 (12.7)	1.7 (.8)
ASTF14C	2	1-1/2	6-1/2 (165.1)	3-1/4 (82.55)	1-1/2 (38.1)	5/8 (15.88)	1/2 (12.7)	3 (76.2)	1/2 (12.7)	1.9 (.9)
ASTF20B2	1	2	6-7/8 (174.6)	3-1/2 (88.9)	1-3/4 (44.45)	5/8 (15.88)	7/16 (11.11)	2 (50.8)	1/2 (12.7)	2.0 (.9)
ASTF20C	2	2	6-7/8 (174.6)	3-1/2 (88.9)	1-3/4 (44.45)	5/8 (15.88)	7/16 (11.11)	3 (76.2)	1/2 (12.7)	2.2 (1.0)
ASTF20D	2	2	7-3/4 (196.85)	3-1/2 (88.9)	1-3/4 (44.45)	1-1/8 (28.58)	3/8 (9.52)	4 (101.6)	1/2 (12.7)	2.4 (1.1)

Continued on next page.